

Technical Manual

4344MKII L/R



ACOUSTIC & ELECTRICAL SPECIFICATIONS:

- Nominal Impedance: 6Ω
- Max Amp Power: 200 watts* continuous, 800 watts peak
- Frequency Response: 30Hz-22kHz (-6dB)
- Sensitivity: 95dB@2.83 volts/1 meter
- Crossover Frequency: 340Hz, 1300Hz, 8000Hz

SYSTEM COMPONENTS:

- Cabinet: 4344MKII L/R (Not for Sale)
- Grille: GL4344MKII
- Ultrahigh-Frequency Transducer: 61240-01
DC Resistance: 6.5 Ω±10%
- High-Frequency Transducer: 73988
DC Resistance: 3.2 Ω±10%
- Mid-Frequency Transducer: 59618-03
DC Resistance: 4.2 Ω±10%
- Low-Frequency Transducer: 317294-001
DC Resistance: 5.7 Ω±10%
- Crossover Network (Low Freq): 332240-002
- Crossover Network (Mid/Twt): 332240-001

AURAL SWEEP TEST SPECIFICATIONS:

- System Aural Sweep Test: 6.0V Input 30 Hz to 22 kHz
- L.F. Aural Sweep Test: 5.0V Input 30 Hz to 500 Hz
- M.F. Aural Sweep Test: 4.0V Input 100 Hz to 2 kHz
- H.F. Aural Sweep Test: 2.83V Input 1 kHz to 10 kHz
- U.H.F. Aural Sweep Test: 2.83V Input 8 kHz to 22 kHz

PHYSICAL SPECIFICATIONS:

- Enclosure dimensions: 41-3/8" x 25" x 17"
(1051mm x 635mm x 432mm)
- Weight: 180 lbs (82 kg) Each

WARRANTY:

- Refer to Warranty Statement packed with each product.

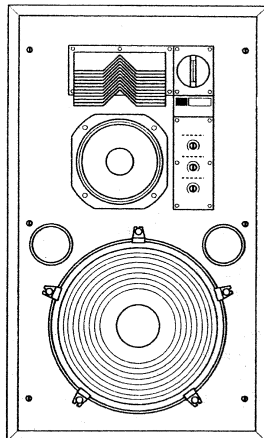
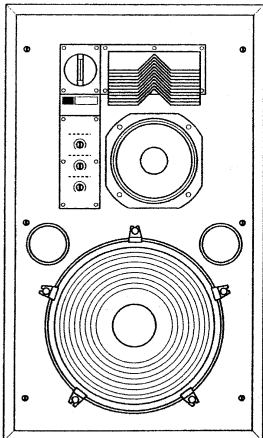
* The maximum recommended amplifier power rating will ensure proper system headroom to allow for occasional peaks. We do not recommend sustained operation at these maximum power levels.

PARTS LIST

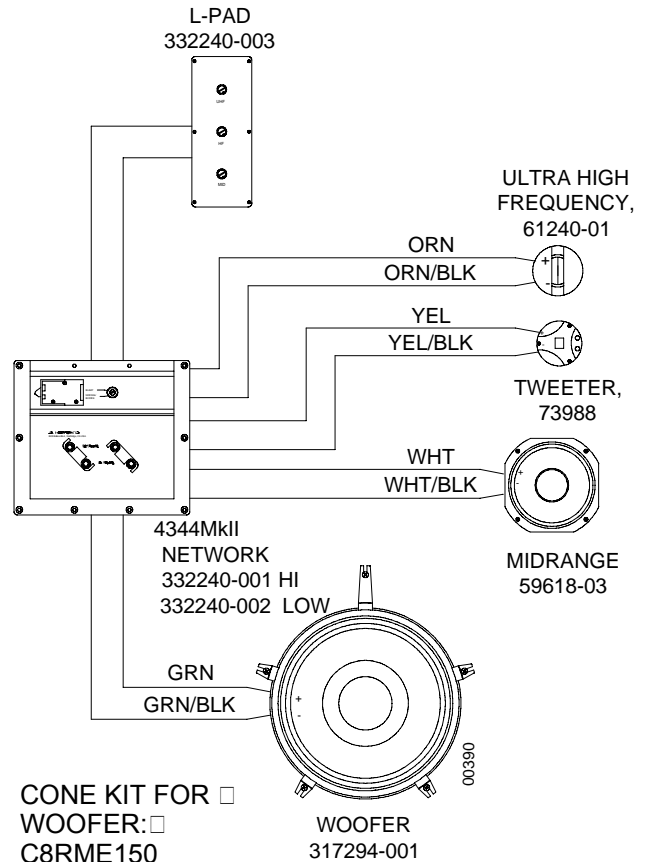
DESCRIPTION

PART NO.

MIDRANGE CONE KIT	C8R2123H
HORN	41135
ACOUSTIC LENS	332210-001
ACCESS PANEL	320174-002
GRILLE CUP (4)	72546
CONTROL PLATE (L)	332213-001
CONTROL PLATE (R)	332213-002
PLATE, LENS	332262-001
WOOFER MNT. CLAMP (5)	60958-01
L-PAD	332240-003
BATTERY COVER	75033-0085
CARTON L/R	60967
WARRANTY	331994-001
END PAD	47218-01
SHORTING STRAP (2)	073-110002-000



WIRING DIAGRAM



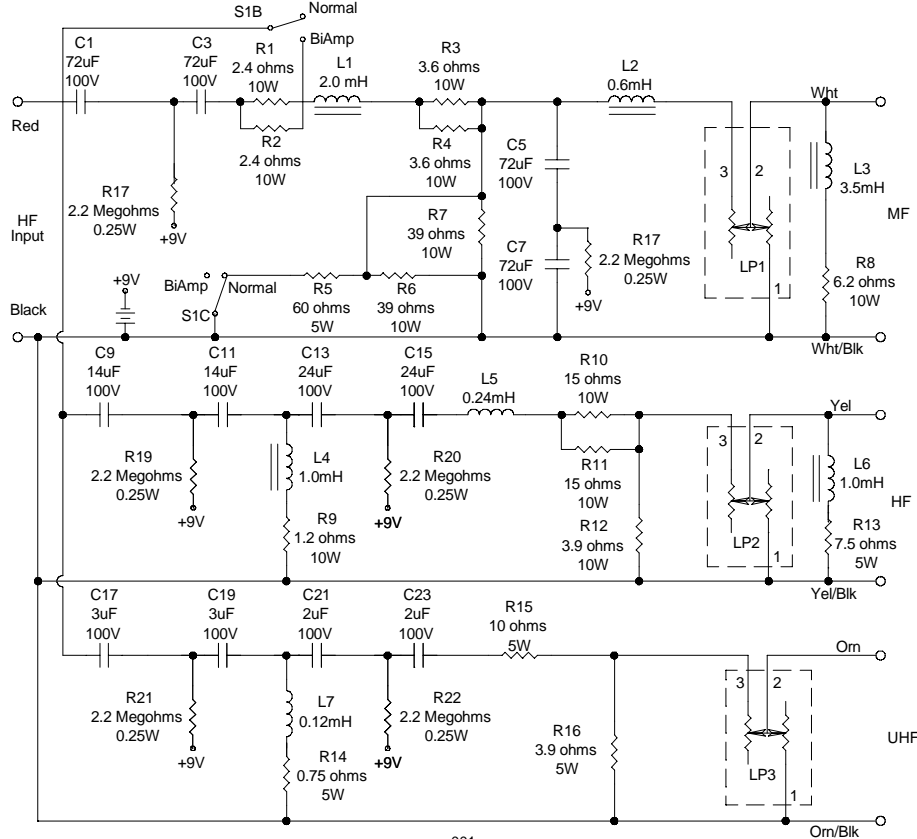
4344MKII L/R

4344 MkII L/R

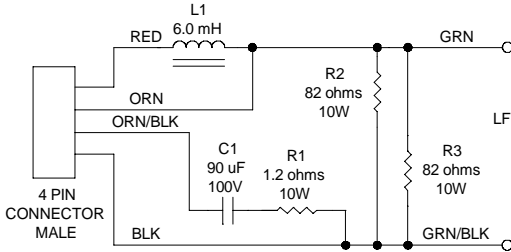


Schematics

4344 MKII L/R HIGH FREQUENCY SECTION



4344 MKII L/R LOW FREQUENCY SECTION

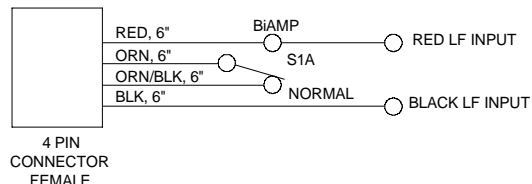
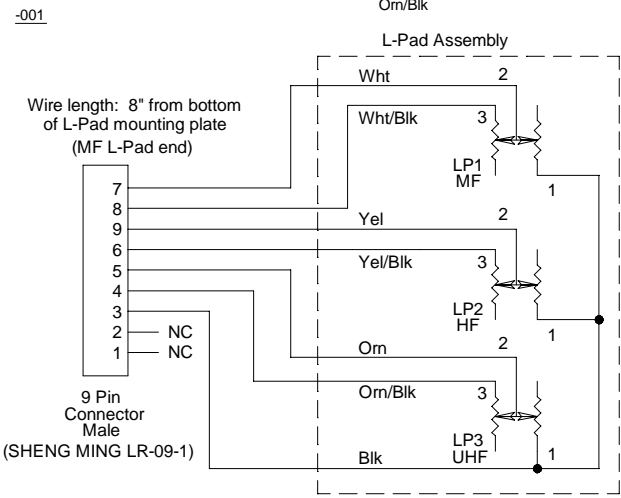


4344MkII L/R On HF Network Assembly

7	Wht	MF out, Wht
8	Wht/Blk	R3, R4, R5, R6
9	Yel	HF out, Yel
6	Yel/Blk	R8, R9, R10
5	Om	UHF out, Om
4	Om/Blk	R13, R14
3	Blk	Ground
2	NC	
1	NC	

Wire length: 12" from Network

9 PIN CONNECTOR FEMALE



-001

4344 MkIII L/R