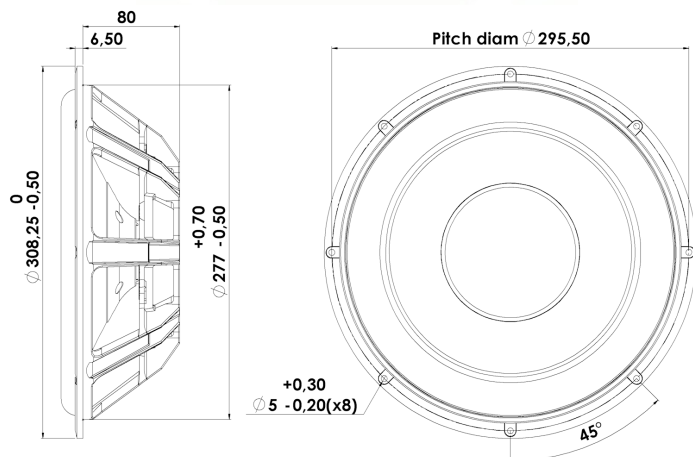


30 cm Passive

30W/0-00-00



Key Features:

- Optimized for 30W/4558T00
- Adjustable Weight for Optimum Fres
- Rigid Black Aluminium Cone
- Coated Sandwich Fibre Glass Dust Cap
- Die cast Alu Chassis

Recommendations (please see Tech Note):

- Operating frequency range: N.a.
- Cabinet volume - closed box: N.a.
- Cabinet volume - vented box: N.a.

T-S Parameters:

Resonance frequency [fs]	9.5 Hz
Mechanical Q factor [Qms]	14
Electrical Q factor [Qes]	-
Total Q factor [Qts]	-
Force factor [Bl]	- Tm
Mechanical resistance [Rms]	1.84 kg/s
Moving mass [Mms]	435 g
Compliance [Cms]	0.65 mm/N
Effective diaph. diameter [D]	244 mm
Effective piston area [Sd]	466 cm ²
Equivalent volume [Vas]	200 l
Sensitivity (2,83V/1m)	- dB

Mechanical Data:

Voice coil diameter	- mm
Voice coil height	- mm
Voice coil layers	-
Gap height	- mm
Linear excursion	\pm - mm
Max mech. excursion	\pm 28 mm
Unit weight	1.4 kg
Cabinet Displacement Volume	0.64 l

Electrical Data:

Nominal impedance [Zn]	- Ω
Minimum impedance [Zmin]	- Ω
Maximum impedance [Zo]	- Ω
DC resistance [Re]	- Ω
Voice coil inductance [Le]	- mH

Power Handling:

100h RMS noise test (IEC 18.4)	- W
Long-term max power (IEC 18.2)	- W
X-over:	None

