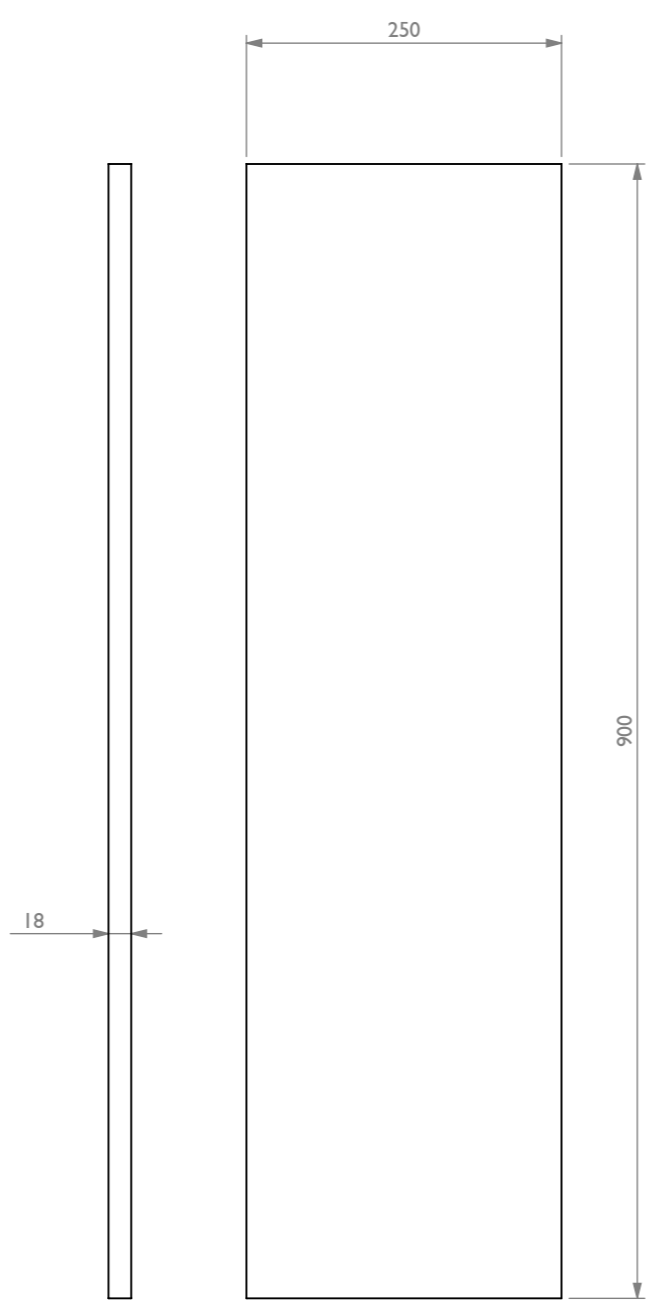
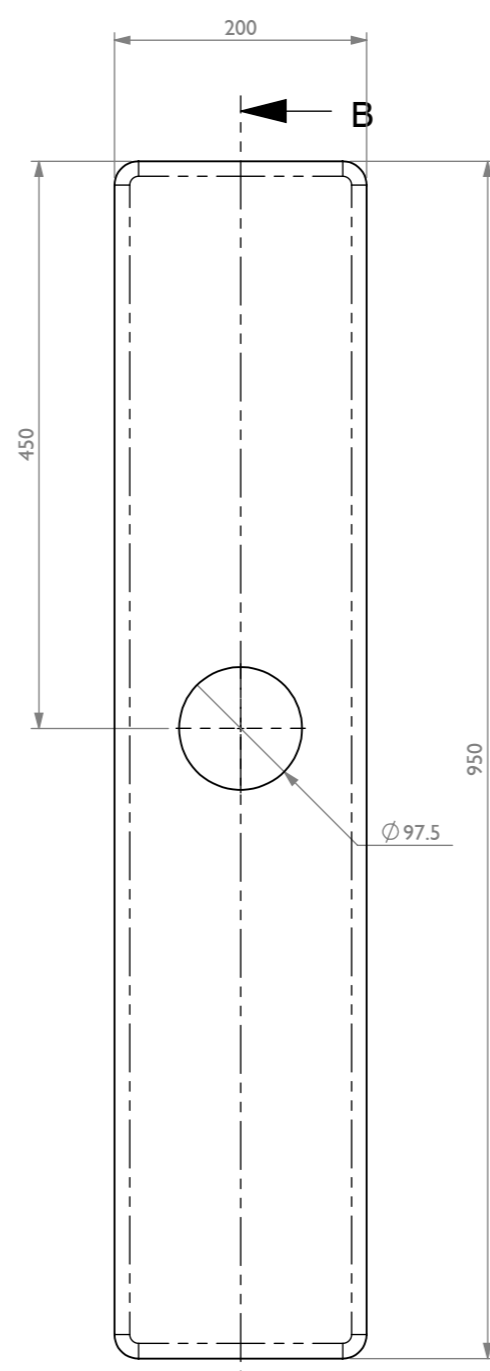


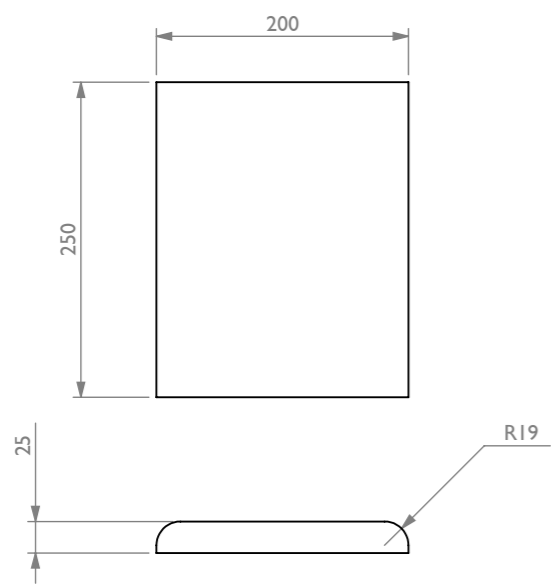
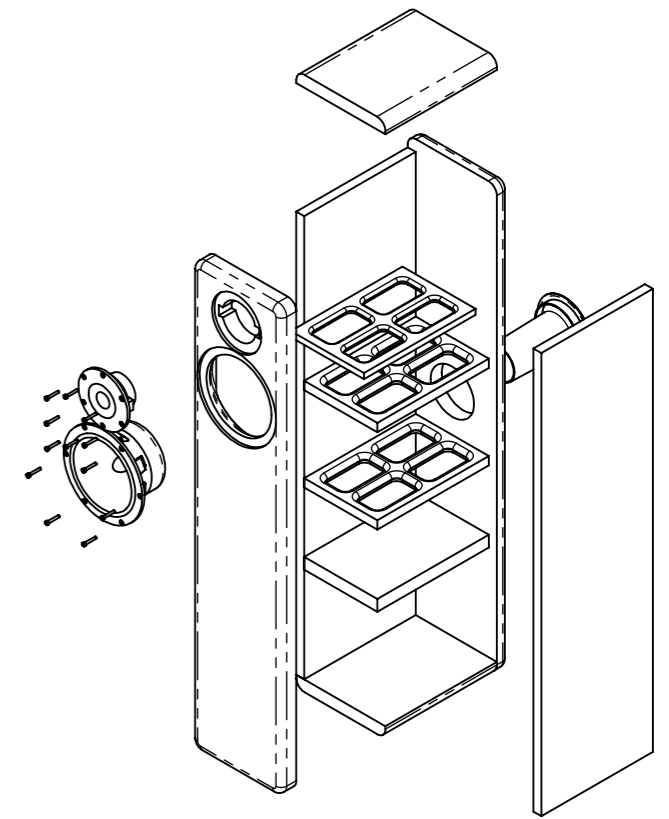
SECTION A-A



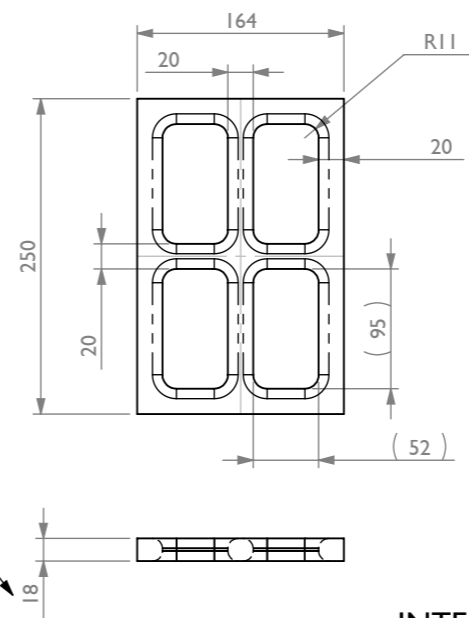
SIDES



SECTION B-B

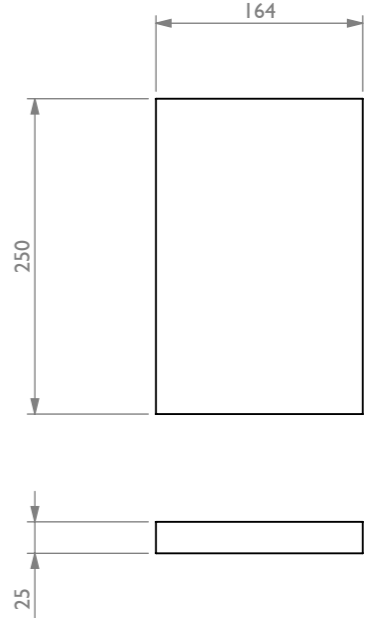


TOP & BOTTOM



12mm ON BRACE BETWEEN DRIVERS

INTERNAL BRACE / S



SECTION B-B