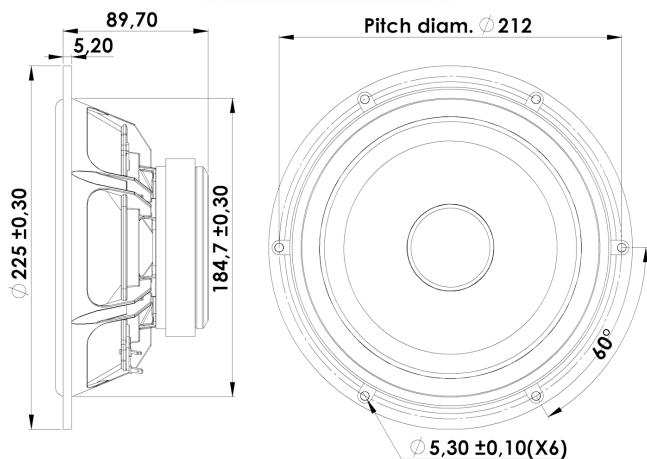


22 cm Woofer

22W/4534G00



### T-S Parameters:

Resonance frequency [fs]	30 Hz
Mechanical Q factor [Qms]	3.70
Electrical Q factor [Qes]	0.37
Total Q factor [Qts]	0.34
Force factor [Bl]	6 Tm
Mechanical resistance [Rms]	1.19 kg/s
Moving mass [Mms]	23.7 g
Compliance [Cms]	1.23 mm/N
Effective diaph. diameter [D]	173 mm
Effective piston area [Sd]	235 cm <sup>2</sup>
Equivalent volume [Vas]	95.0 l
Sensitivity (2,83V/1m)	92.5 dB

### Mechanical Data:

Voice coil diameter	38 mm
Voice coil height	17.3 mm
Voice coil layers	2
Gap height	6 mm
Linear excursion	± 5.7 mm
Max mech. excursion	± 12 mm
Unit weight	2.1 kg
Cabinet Displacement Volume	0.55 l

### Electrical Data:

Nominal impedance [Zn]	4 Ω
Minimum impedance [Zmin]	3.7 Ω
Maximum impedance [Zo]	33.0 Ω
DC resistance [Re]	3 Ω
Voice coil inductance [Le]	0.33 mH

### Power Handling:

100h RMS noise test (IEC 18.4)	70 W
Long-term max power (IEC 18.2)	120 W
X-over:	None

### Key Features:

- High Output 92,5dB @ 2,83V
- Low Resonance Freq. 30Hz
- Coated NRSC Fibre Glass Cone
- Magnet System w. Alu Ring
- Low Damping SBR Rubber Surround
- Die cast Alu Chassis vented below spider

### Recommendations (please see Tech Note):

- Operating frequency range: fs-5000 Hz
- Cabinet volume - closed box: Vbox=37 ltr, f(-3dB)=57 Hz
- Cabinet volume - vented box: Vbox=74 ltr, fb=32 Hz, f(-3dB)=34 Hz

