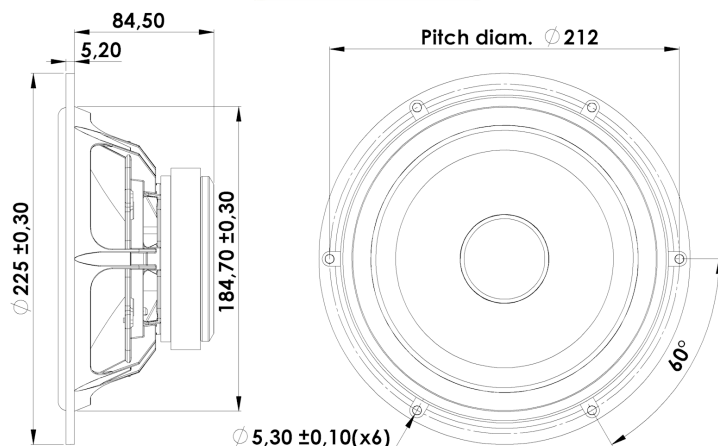


22 cm Woofer

22W/8534G00



T-S Parameters:

Resonance frequency [fs]	30 Hz
Mechanical Q factor [Qms]	4.14
Electrical Q factor [Qes]	0.43
Total Q factor [Qts]	0.39
Force factor [Bl]	7.8 Tm
Mechanical resistance [Rms]	1.05 kg/s
Moving mass [Mms]	23.1 g
Compliance [Cms]	1.22 mm/N
Effective diaph. diameter [D]	173 mm
Effective piston area [Sd]	235 cm ²
Equivalent volume [Vas]	94.2 l
Sensitivity (2,83V/1m)	89 dB

Mechanical Data:

Voice coil diameter	38 mm
Voice coil height	17.5 mm
Voice coil layers	2
Gap height	6 mm
Linear excursion	± 5.8 mm
Max mech. excursion	± 12 mm
Unit weight	2.1 kg
Cabinet Displacement Volume	0.55 l

Electrical Data:

Nominal impedance [Zn]	8 Ω
Minimum impedance [Zmin]	6.8 Ω
Maximum impedance [Zo]	62.7 Ω
DC resistance [Re]	5.9 Ω
Voice coil inductance [Le]	0.56 mH

Power Handling:

100h RMS noise test (IEC 18.4)	70 W
Long-term max power (IEC 18.2)	120 W
X-over:	None

Key Features:

- High Output 89dB @ 2,83V
- Low Resonance Freq. 30Hz
- Coated NRSC Fibre Glass Cone
- Magnet System w. Alu Ring
- Low Damping SBR Rubber Surround
- Die cast Alu Chassis vented below spider

Recommendations (please see Tech Note):

- Operating frequency range: fs-5000 Hz
- Cabinet volume - closed box: Vbox=48 ltr, f(-3dB)=52 Hz
- Cabinet volume - vented box: Vbox=99 ltr, fb=30 Hz, f(-3dB)=29 Hz

