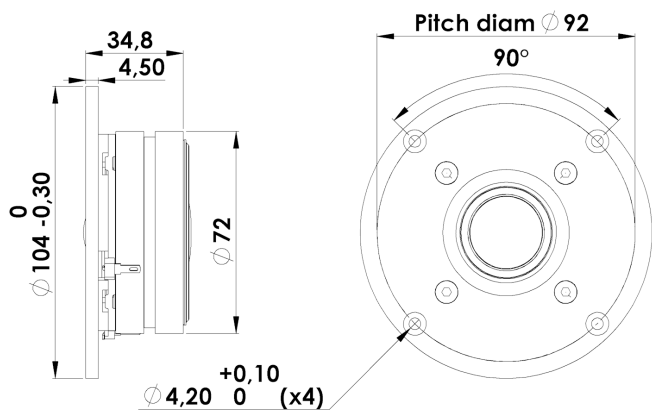


26 mm Dome Tweeter

D2608/913000



T-S Parameters:

Resonance frequency [fs]	700 Hz
Mechanical Q factor [Qms]	0.51
Electrical Q factor [Qes]	0.65
Total Q factor [Qts]	0.29
Force factor [Bl]	2.6 Tm
Mechanical resistance [Rms]	1.54 kg/s
Moving mass [Mms]	0.18 g
Compliance [Cms]	0.29 mm/N
Effective diaph. diameter [D]	30 mm
Effective piston area [Sd]	7 cm ²
Equivalent volume [Vas]	0.02 l
Sensitivity (2,83V/1m)	91.5 dB

Mechanical Data:

Voice coil diameter	26 mm
Voice coil height	1.5 mm
Voice coil layers	2
Gap height	2.5 mm
Linear excursion	± 0.5 mm
Max mech. excursion	± - mm
Unit weight	0.7 kg
Cabinet Displacement Volume	0.13 l

Electrical Data:

Nominal impedance [Zn]	8 Ω
Minimum impedance [Zmin]	6.6 Ω
Maximum impedance [Zo]	10.0 Ω
DC resistance [Re]	5.6 Ω
Voice coil inductance [Le]	0.04 mH

Power Handling:

100h RMS noise test (IEC 18.4)	80 W
Long-term max power (IEC 18.2)	400 W
X-over: 2. order HP Butterworth, 4 kHz	

Key Features:

- Very low mass soft dome diaphragm
- Optimized Magnet System with Double magnets
- Ferrofluid
- Fully Vented Motor System for Low compression
- Low resonance Frequency
- Black Die-Cast Aluminium Face Plate

Recommendations (please see Tech Note):

- Operating frequency range: 3500-20000 Hz
- Cabinet volume - closed box: N.a.
- Cabinet volume - vented box: N.a.

