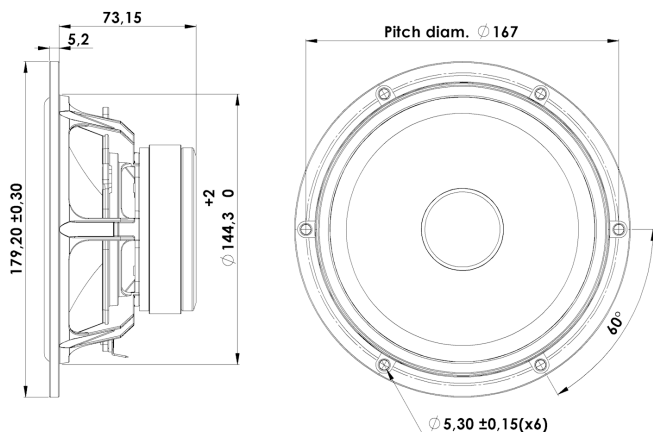


18 cm Midwoofer

18W/8434G00



T-S Parameters:

Resonance frequency [fs]	50 Hz
Mechanical Q factor [Qms]	7.58
Electrical Q factor [Qes]	0.46
Total Q factor [Qts]	0.43
Force factor [Bl]	7.2 Tm
Mechanical resistance [Rms]	0.57 kg/s
Moving mass [Mms]	13.7 g
Compliance [Cms]	0.74 mm/N
Effective diaph. diameter [D]	132 mm
Effective piston area [Sd]	137 cm ²
Equivalent volume [Vas]	19.5 l
Sensitivity (2,83V/1m)	88.5 dB

Mechanical Data:

Voice coil diameter	32 mm
Voice coil height	13.4 mm
Voice coil layers	2
Gap height	5 mm
Linear excursion	± 4.2 mm
Max mech. excursion	± 8 mm
Unit weight	1.3 kg
Cabinet Displacement Volume	0.30 l

Electrical Data:

Nominal impedance [Zn]	8 Ω
Minimum impedance [Zmin]	6.7 Ω
Maximum impedance [Zo]	97.9 Ω
DC resistance [Re]	5.6 Ω
Voice coil inductance [Le]	0.55 mH

Power Handling:

100h RMS noise test (IEC 18.4)	55 W
Long-term max power (IEC 18.2)	170 W
X-over:	None

Key Features:

- High Output 89dB @ 2,83V
- Coated NRSC Fibre Glass Cone
- Magnet System w. Alu Ring
- Low Damping SBR Rubber Surround
- Die cast Alu Chassis vented below spider

Recommendations (please see Tech Note):

- Operating frequency range: fs-8000 Hz
- Cabinet volume - closed box: Vbox=13.5 ltr, f(-3dB)=78 Hz
- Cabinet volume - vented box: Vbox=29 ltr, fb=44 Hz, f(-3dB)=42 Hz

