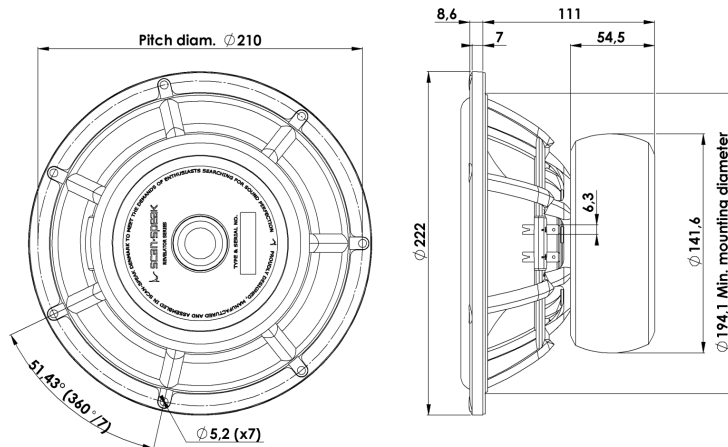


REVELATOR

WOOFER

22W/8857T00

The Revelator woofers and subwoofers features very rigid cones in paper or aluminium that operates as a piston over a wide frequency range, in combination with Scan-Speaks low-loss linear suspension and the patented Symmetrical Drive (SD-1) it results in very low distortion and a smooth and well behaved frequency response as well as perfect transient reproduction.



KEY FEATURES:

- Patented Symmetrical Drive Motor Design
- Low-Loss linear suspension
- Die cast Alu Chassis vented below spider
- Rigid Black Anodized Alu Cone
- Low Damping SBR Rubber Surround
- Ferrite Magnet System w. Rubber Boot

T-S Parameters

Resonance frequency [fs]	23 Hz
Mechanical Q factor [Qms]	4.90
Electrical Q factor [Qes]	0.32
Total Q factor [Qts]	0.30
Force factor [Bl]	10.1 Tm
Mechanical resistance [Rms]	1.09 kg/s
Moving mass [Mms]	37 g
Suspension compliance [Cms]	1.29 mm/N
Effective diaph. diameter [D]	167 mm
Effective piston area [Sd]	220 cm ²
Equivalent volume [Vas]	87.7 l
Sensitivity (2.83V/1m)	86 dB
Ratio Bl/√Re	4.06 N/√W
Ratio fs/Qts	77 Hz

Notes:

IEC specs. refer to IEC 60268-5 third edition.
All Scan-Speak products are RoHS compliant.
Data are subject to change without notice.
Datasheet updated: May 5, 2011.

Electrical Data

Nominal impedance [Zn]	8 Ω
Minimum impedance [Zmin]	7.2 Ω
Maximum impedance [Zo]	101 Ω
DC resistance [Re]	6.2 Ω
Voice coil inductance [Le]	0.35 mH

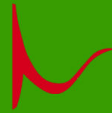
Power Handling

100h RMS noise test (IEC 17.1)	170 W
Long-term max power (IEC 17.3)	- W

Voice Coil and Magnet Data

Voice coil diameter	50 mm
Voice coil height	24 mm
Voice coil layers	2
Height of gap	6 mm
Linear excursion	± 9 mm
Max mech. excursion	± 14 mm
Unit weight	3.6 kg

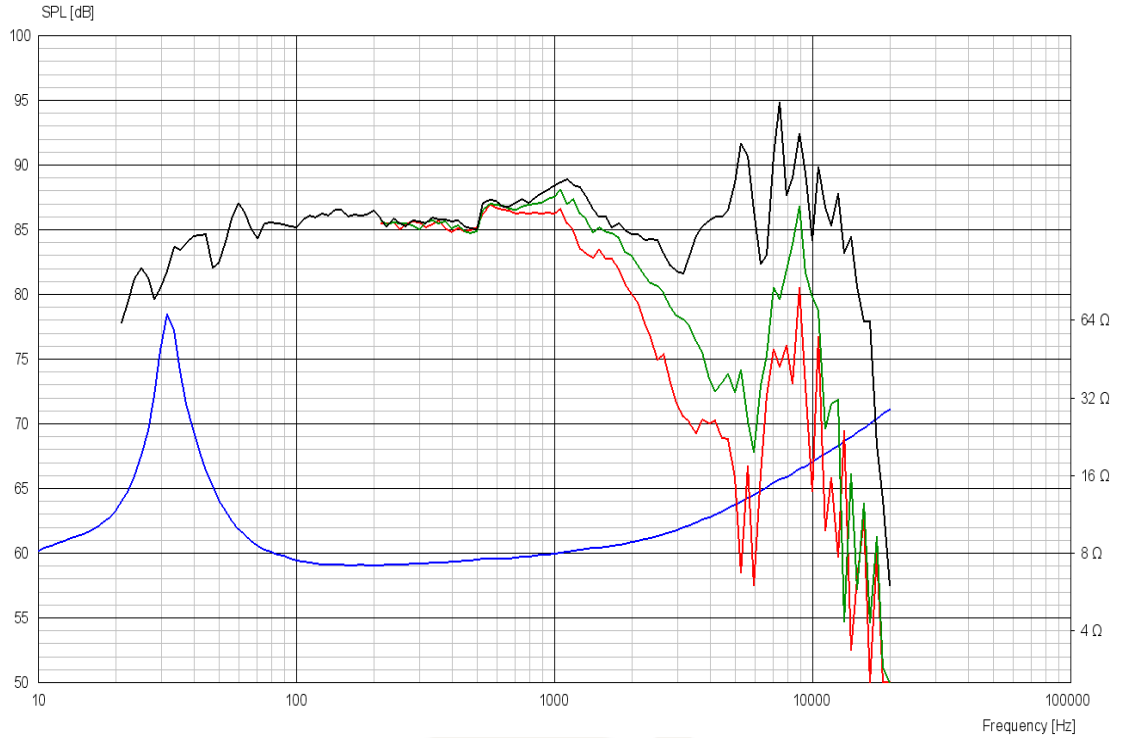




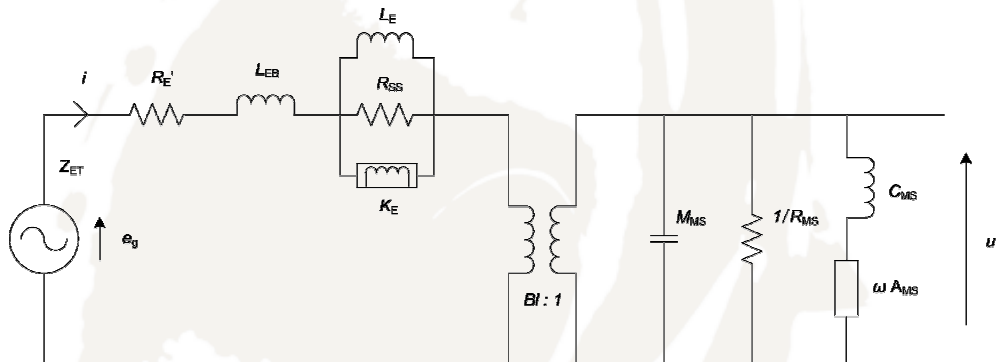
REVELATOR

WOOFER

22W/8857T00



Advanced Parameters (Preliminary)



Electrical data

Resistance [Re']	6.33 Ω
Free inductance [Leb]	0.142 mH
Bound inductance [Le]	4.37 mH
Semi-inductance [Ke]	0.0290 SH
Shunt resistance [Rss]	3000 Ω

Mechanical Data

Force Factor [BI]	8.57 Tm
Moving mass [Mms]	36.3 g
Compliance [Cms]	1.037 mm/N
Mechanical resistance [Rms]	0.362 kg/s
Admittance [Ams]	0.136 mm/N

