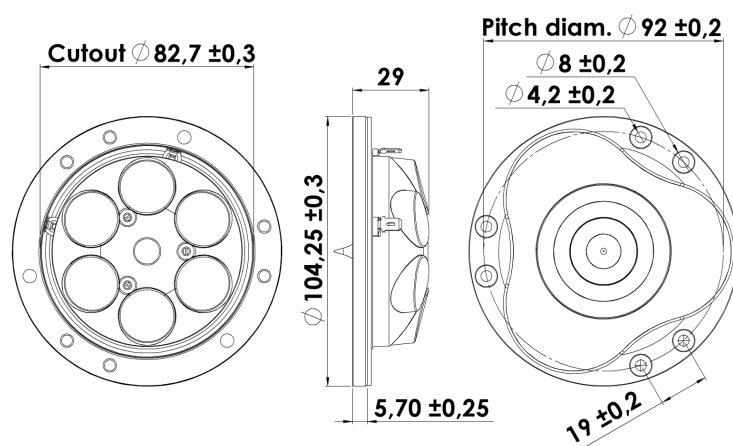




TWEETER

R3004/662000

The Illuminator tweeters stand for superb vocal rendition and excellent imaging at all listening locations. With its large roll surround and textile diaphragm provide a flat frequency response to above 30KHz. The unique AirCirc Magnet System, and its rear chamber, results in elimination of reflections and resonances that compromise the performance of traditional motors.



KEY FEATURES:

- 1" Ring Dome Diaphragm
- Patented Symmetrical Drive (SD-2) motor
- Diffraction Damping Rubber Front
- Patented Phase Plug Design
- AirCirc Motor Design w. 6 Neo magnets
- Die Cast Rubber Painted Alu Face Plate

T-S Parameters

Resonance frequency [fs]	520 Hz
Mechanical Q factor [Qms]	3.27
Electrical Q factor [Qes]	0.56
Total Q factor [Qts]	0.48
Force factor [Bl]	2.3 Tm
Mechanical resistance [Rms]	0.30 kg/s
Moving mass [Mms]	0.3 g
Suspension compliance [Cms]	0.31 mm/N
Effective diaph. diameter [D]	27 mm
Effective piston area [Sd]	5.6 cm ²
Equivalent volume [Vas]	0.01 l
Sensitivity (2.83V/1m)	90.4 dB
Ratio Bl/√Re	1.33 N/√W
Ratio fs/Qts	1094 Hz

Notes:

IEC specs. refer to IEC 60268-5 third edition.
All Scan-Speak products are RoHS compliant.
Data are subject to change without notice.
Datasheet updated: February 22, 2011.

Electrical Data

Nominal impedance [Zn]	4 Ω
Minimum impedance [Zmin]	3.9 Ω
Maximum impedance [Zo]	20.6 Ω
DC resistance [Re]	3 Ω
Voice coil inductance [Le]	0.03 mH

Power Handling

100h RMS noise test (IEC 17.1)*	90 W
Long-term max power (IEC 17.3)*	150 W

*Filter: 2. order HP Butterworth, 2.5 kHz

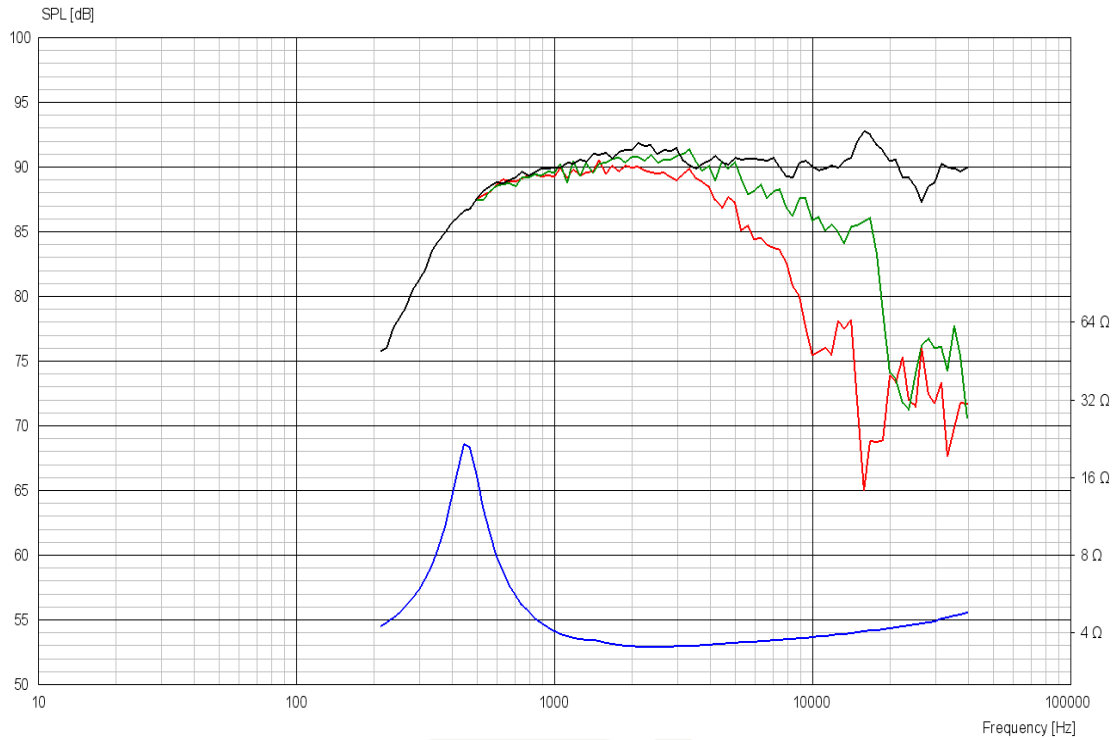
Voice Coil and Magnet Data

Voice coil diameter	26 mm
Voice coil height	2.1 mm
Voice coil layers	2
Height of gap	2.5 mm
Linear excursion	± 0.2 mm
Max mech. excursion	± 1.6 mm
Unit weight	0.3 kg

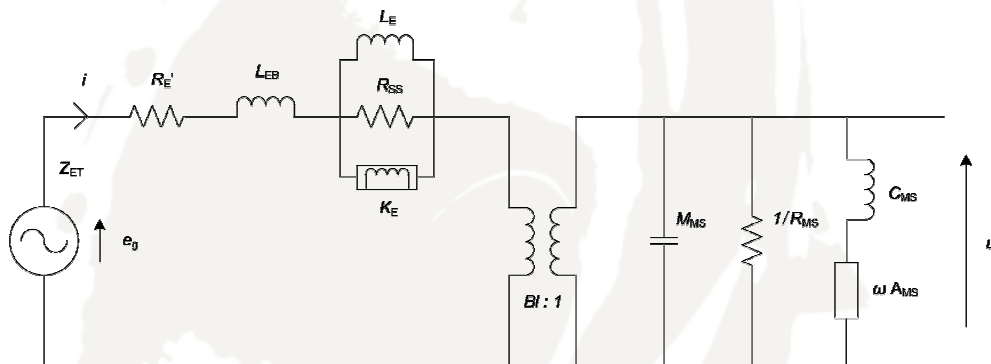


TWEETER

R3004/662000



Advanced Parameters (Preliminary)



Electrical data:

Resistance [Re']	- Ω
Free inductance [Leb]	- mH
Bound inductance [Le]	- mH
Semi-inductance [Ke]	- SH
Shunt resistance [Rss]	- Ω

Mechanical Data

Force Factor [Bl]	- Tm
Moving mass [Mms]	- g
Compliance [Cms]	- mm/N
Mechanical resistance [Rms]	- kg/s
Admittance [Ams]	- mm/N