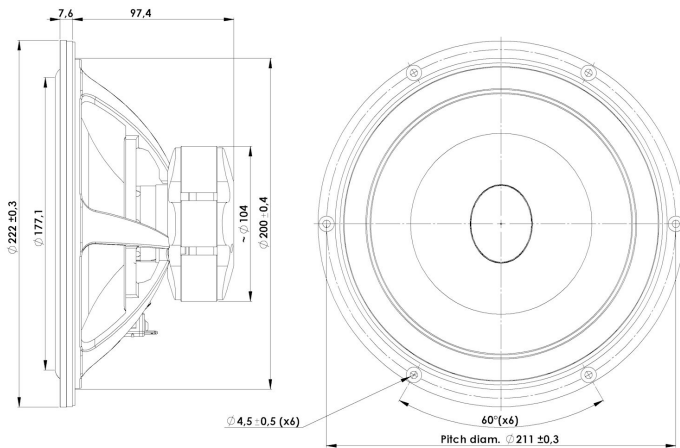


21 cm Midwoofer

21WE/8542T00



Key Features:

- Elliptic voice coil
- Very low mechanical losses
- High sensitivity (SPL)
- AirCirc optimized magnetsystem
- Exceptionally low distortion
- Flexible appearance with replaceable decor ring

Recommendations (please see Tech Note):

- Operating frequency range: fs-6000 Hz
- Cabinet volume - closed box: Vbox=25 ltr, f(-3dB)=64 Hz
- Cabinet volume - vented box: Vbox=51 ltr, fb=37 Hz, f(-3dB)=37 Hz

T-S Parameters:

Resonance frequency [fs]	36 Hz
Mechanical Q factor [Qms]	6.33
Electrical Q factor [Qes]	0.40
Total Q factor [Qts]	0.38
Force factor [Bl]	10 Tm
Mechanical resistance [Rms]	1 kg/s
Moving mass [Mms]	28 g
Compliance [Cms]	0.7 mm/N
Effective diaph. diameter [D]	172 mm
Effective piston area [Sd]	233 cm ²
Equivalent volume [Vas]	54 l
Sensitivity (2,83V/1m)	91 dB

Mechanical Data:

Voice coil diameter	35/45 mm
Voice coil height	20.4 mm
Voice coil layers	2
Gap height	5 mm
Linear excursion	± 7.7 mm
Max mech. excursion	± 12 mm
Unit weight	1.8 kg
Cabinet Displacement Volume	0.49 l

Electrical Data:

Nominal impedance [Zn]	8 Ω
Minimum impedance [Zmin]	7.3 Ω
Maximum impedance [Zo]	80 Ω
DC resistance [Re]	6.3 Ω
Voice coil inductance [Le]	0.2 mH

Power Handling:

100h RMS noise test (IEC 18.4)	50 W
Long-term max power (IEC 18.2)	100 W
X-over:	None

