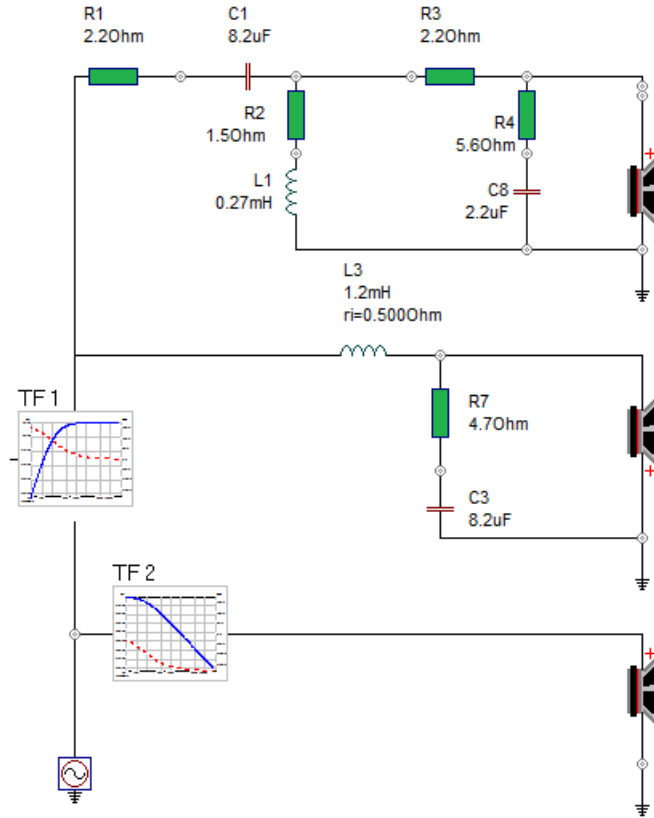


# FUSION-3

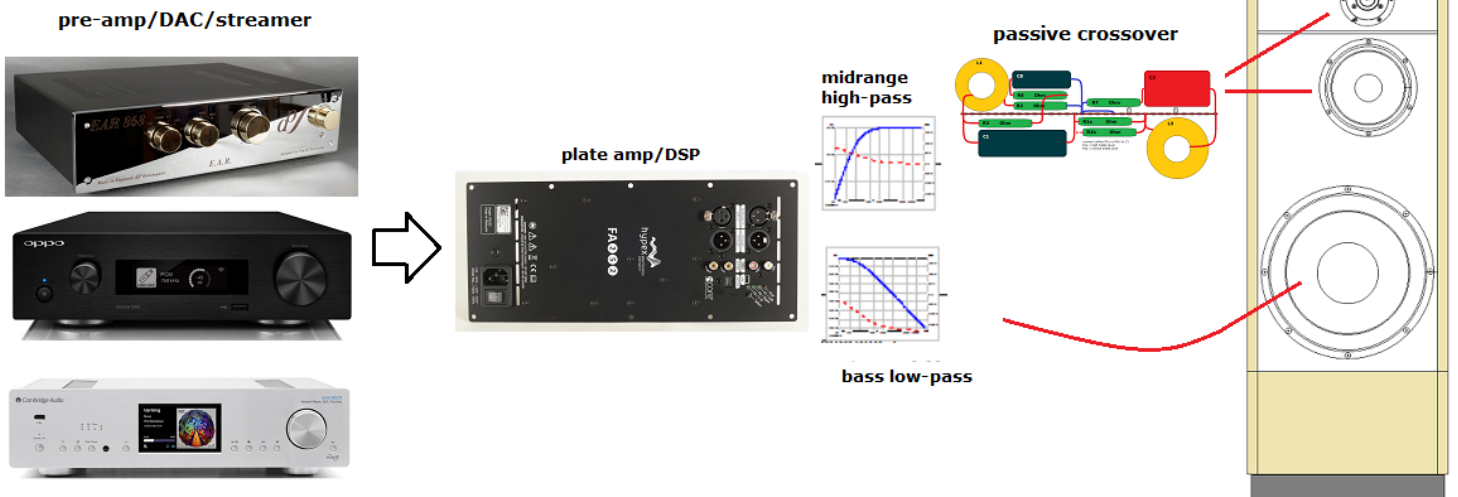
## Kit Instruction

Copyright 2018 © Troels Gravesen



Read further info at: <http://www.troelsgravesen.dk/FUSION-3.htm>

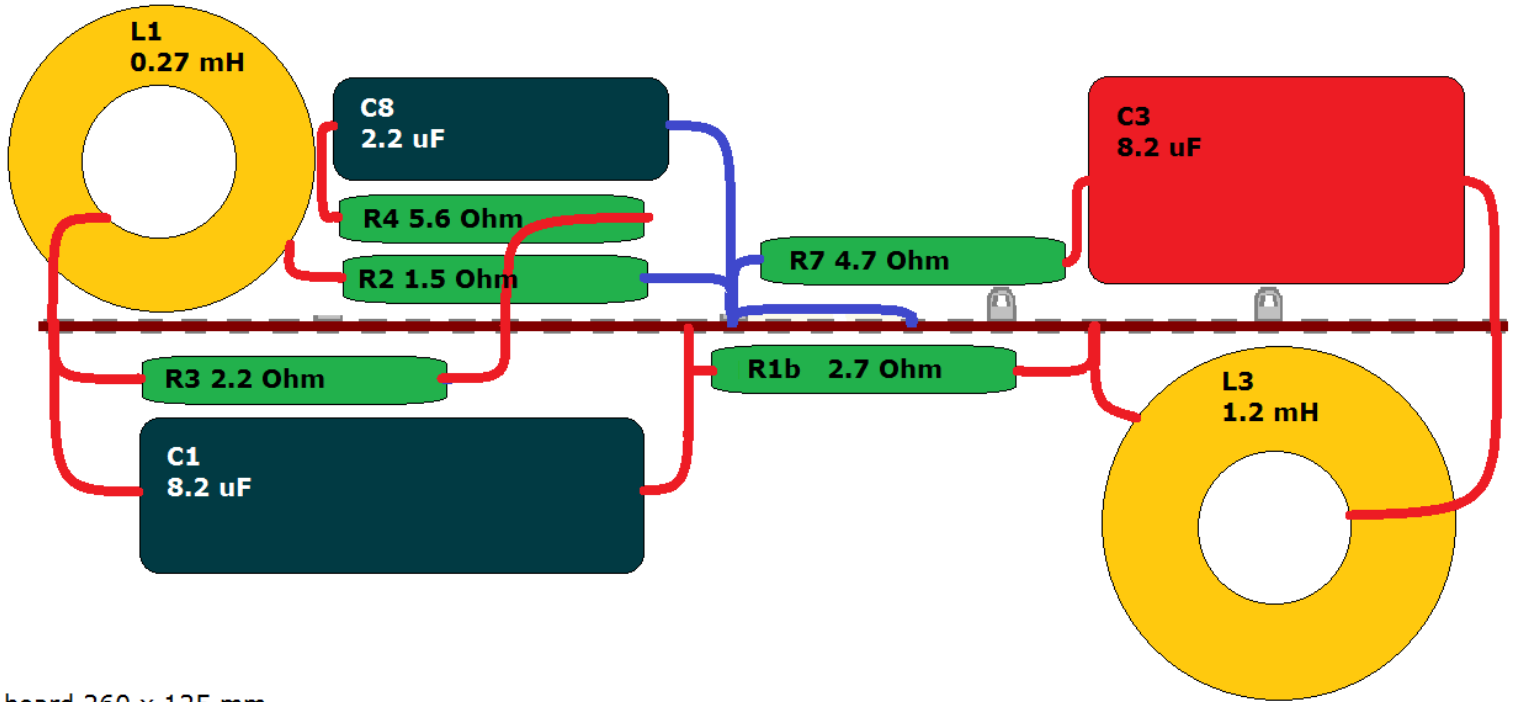
### Bi-amping and bass low-pass filter by DSP, midrange high-pass filter by DSP



<b>FUSION-3</b>						
<b>Coils:</b>						
Coil No.	Wire Ø mm	AWG	mH	Ohm	dim.	pcs
Air Coil LITZ Wire 0,270mH +/-3% 0,16Ω			<b>0.27</b>	0.160	20x53	2
Air Coil LITZ Wire 1,200mH +/-3% 0,385Ω			<b>1.20</b>	0.385	30x61	2
<b>Caps</b>						
	type	volt	uF		Dia. / H	
<b>Jantzen Superior Z-Cap</b>		800	<b>8.20</b>		35 x 65	2
<b>Jantzen Alumen Z-Cap</b>		100	<b>2.20</b>		18 x 58	2
<b>Jantzen Alumen Z-Cap</b>		100	<b>8.20</b>		27 x 87	2
<b>Resistors</b>						
			Ohms			
<b>Superes</b>	10		<b>2.20</b>		8.5 x 53	2
<b>Superes</b>	10		<b>2.70</b>	<b>T att</b>	8.5 x 53	2
<b>Superes</b>	10		<b>3.30</b>	<b>T att</b>	8.5 x 53	2
<b>Superes</b>	10		<b>1.50</b>		8.5 x 53	2
<b>Superes</b>	10		<b>4.70</b>		8.5 x 53	2
<b>Superes</b>	10		<b>5.60</b>		8.5 x 53	2
						total 22
<b>Miscellaneous</b>						
	Item#					
Port tubes	#900018			68 x 220 mm		4
Port tubes	#900023			50 x 145 mm		2
Cable - black	PFTE - Silver plated			1 x 1,3 mm <sup>2</sup>	meters	6
Cable - red	PFTE - Silver plated			1 x 1,3 mm <sup>2</sup>	meters	6
Solder Tag strips	Gold Plated 28 pins					2
Wood Screws	4 /18,5 / 8 mm - PH				pcs	40
screws for Hypex	4 /18,5 / 6,8mm - PH				pcs	22
memory stick	software for Hypex					1
HYPEx FA252	plate-amp/DSP					2
<b>Damping Materials</b>						
	Item#					
Grey Felt	8 mm		Felt		sqm	4
White damping cloth	50 cm		Polyester		sqm	2.0
<b>Drivers</b>						
	Item#					
SBAcoustics	TW29RN-B					2
ScanSpeak	18M/8631T00					2
BMS	12N630, 8 Ohm		<b>NOT DELIVERED BY JANTZEN AUDIO</b>			2

**The tweeter, SBA TW29RN-B may be replaced by TW29BN-B without changes to the crossover.**

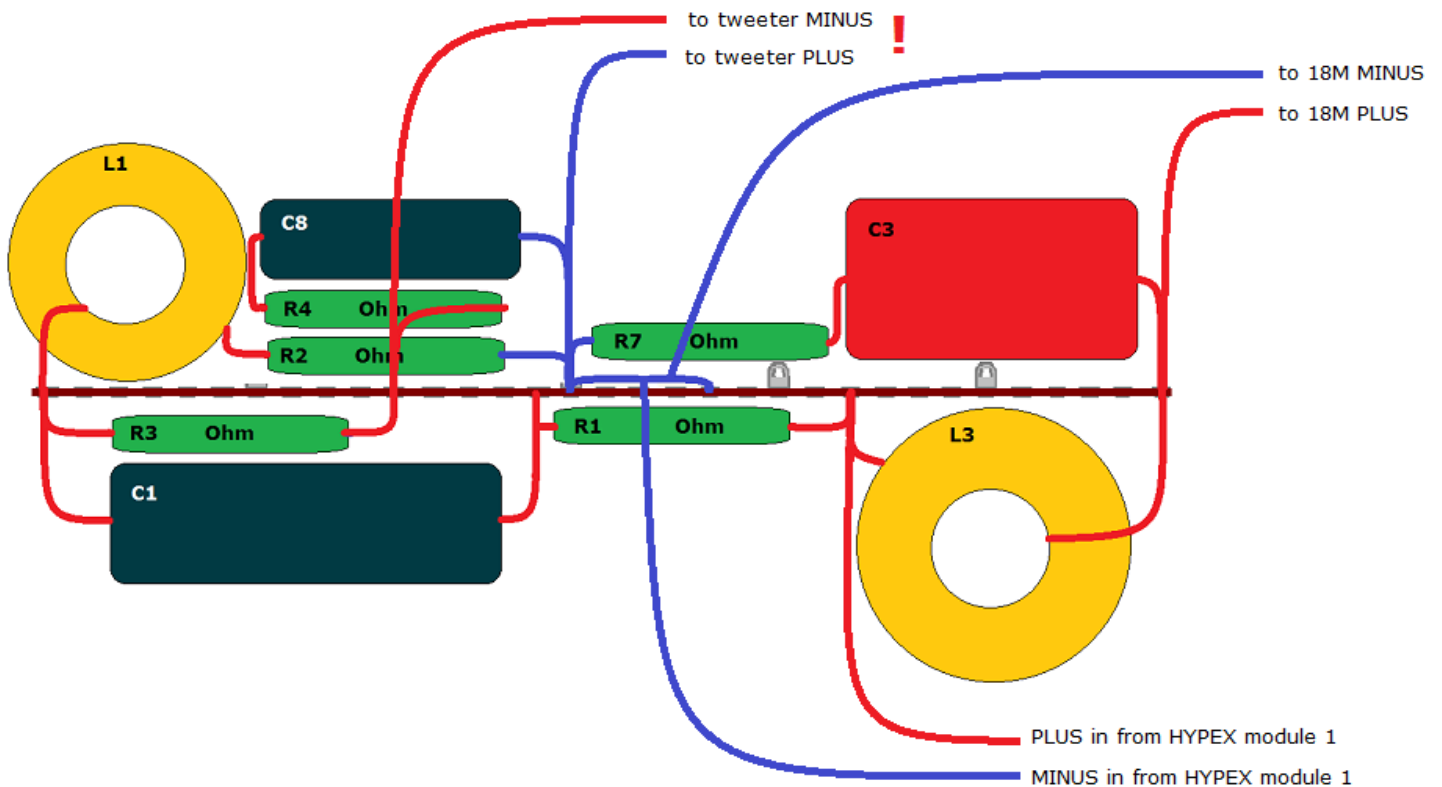
## Crossover layout



board 260 x 125 mm

## MID-TWEETER SECTION

### Speaker wiring



## DISCLAIMER

The information contained herein is proprietary to Jantzen Audio, Denmark, and may not be copied or distributed by any means, hard copy or electronically. If your Kit Instruction is lost, please contact Jantzen Audio with your invoice number to get a new hard copy sent by regular mail.

No photos of kit components or finished crossover assembly should be published in papers, magazines or on the internet.