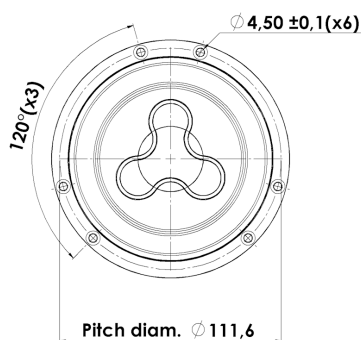
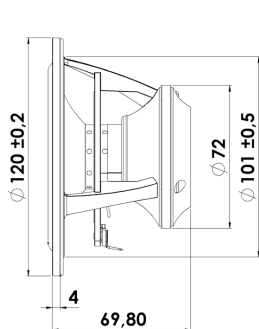


## 12 cm Midrange

## 12MU/8731T00



### Key Features:

- Under-Hung Neodymium Motor Design
- Patented Symmetrical Drive (SD-3)
- One Piece Cone-Dust Cap
- Low-Loss Linear Suspension
- Very Wide Frequency Response 100-10KHz
- High Output 87dB @ 2,83V

### Recommendations (please see Tech Note):

- Operating frequency range: 100-10000 Hz
- Cabinet volume - closed box:  $V_{box}=1.3$  ltr,  $f(-3dB)=153$  Hz
- Cabinet volume - vented box:  $V_{box}=2.3$  ltr,  $f_b=88$  Hz,  $f(-3dB)=99$  Hz

### T-S Parameters:

Resonance frequency [fs]	66 Hz
Mechanical Q factor [Qms]	3.63
Electrical Q factor [Qes]	0.31
Total Q factor [Qts]	0.29
Force factor [Bl]	6.1 Tm
Mechanical resistance [Rms]	0.54 kg/s
Moving mass [Mms]	4.7 g
Compliance [Cms]	1.24 mm/N
Effective diaph. diameter [D]	86 mm
Effective piston area [Sd]	58 cm <sup>2</sup>
Equivalent volume [Vas]	5.8 l
Sensitivity (2,83V/1m)	87 dB

### Mechanical Data:

Voice coil diameter	32 mm
Voice coil height	6.2 mm
Voice coil layers	4
Gap height	13 mm
Linear excursion	± 3.4 mm
Max mech. excursion	± 11 mm
Unit weight	0.8 kg
Cabinet Displacement Volume	0.14 l

### Electrical Data:

Nominal impedance [Zn]	8 Ω
Minimum impedance [Zmin]	7.7 Ω
Maximum impedance [Zo]	75.0 Ω
DC resistance [Re]	5.9 Ω
Voice coil inductance [Le]	0.13 mH

### Power Handling:

100h RMS noise test (IEC 18.4)	80 W
Long-term max power (IEC 18.2)	150 W
X-over: 2. order HP Butterworth, 200 Hz	

