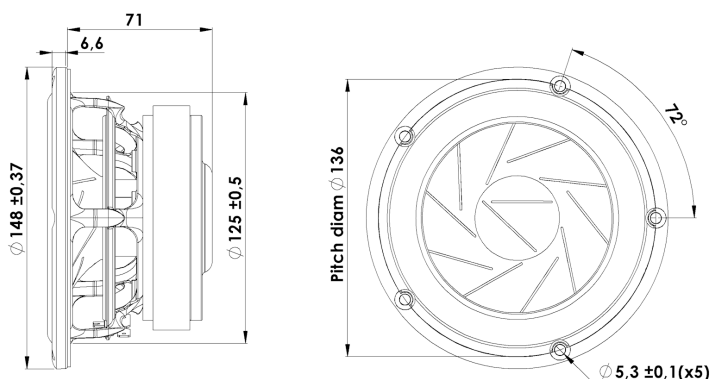


15 cm Midrange

15M/8631G00



### T-S Parameters:

|                               |                    |
|-------------------------------|--------------------|
| Resonance frequency [fs]      | 42 Hz              |
| Mechanical Q factor [Qms]     | 5.8                |
| Electrical Q factor [Qes]     | 0.37               |
| Total Q factor [Qts]          | 0.35               |
| Force factor [Bl]             | 6.8 Tm             |
| Mechanical resistance [Rms]   | 0.5 kg/s           |
| Moving mass [Mms]             | 10.9 g             |
| Compliance [Cms]              | 1.28 mm/N          |
| Effective diaph. diameter [D] | 110 mm             |
| Effective piston area [Sd]    | 95 cm <sup>2</sup> |
| Equivalent volume [Vas]       | 16.2 l             |
| Sensitivity (2,83V/1m)        | 87 dB              |

### Mechanical Data:

|                             |        |
|-----------------------------|--------|
| Voice coil diameter         | 38 mm  |
| Voice coil height           | 11 mm  |
| Voice coil layers           | 2      |
| Gap height                  | 5 mm   |
| Linear excursion            | ± 3 mm |
| Max mech. excursion         | ± 8 mm |
| Unit weight                 | 1.7 kg |
| Cabinet Displacement Volume | 0.36 l |

### Electrical Data:

|                            |         |
|----------------------------|---------|
| Nominal impedance [Zn]     | 8 Ω     |
| Minimum impedance [Zmin]   | 6.9 Ω   |
| Maximum impedance [Zo]     | 96 Ω    |
| DC resistance [Re]         | 5.9 Ω   |
| Voice coil inductance [Le] | 0.22 mH |

### Power Handling:

|                                |       |
|--------------------------------|-------|
| 100h RMS noise test (IEC 18.4) | 50 W  |
| Long-term max power (IEC 18.2) | 110 W |
| X-over:                        | None  |

### Key Features:

- Excellent Midrange Reproduction
- Patented Symmetrical Drive motor design
- Sliced Cone (Controls Cone Breakups)
- Low-loss linear suspension
- Die cast Alu Chassis vented below spider
- Large ferrite magnet system

### Recommendations (please see Tech Note):

- Operating frequency range: 50-7000 Hz
- Cabinet volume - closed box: Vbox=6 ltr, f(-3dB)=80 Hz
- Cabinet volume - vented box: Vbox=12 ltr, fb=46 Hz, f(-3dB)=48 Hz

