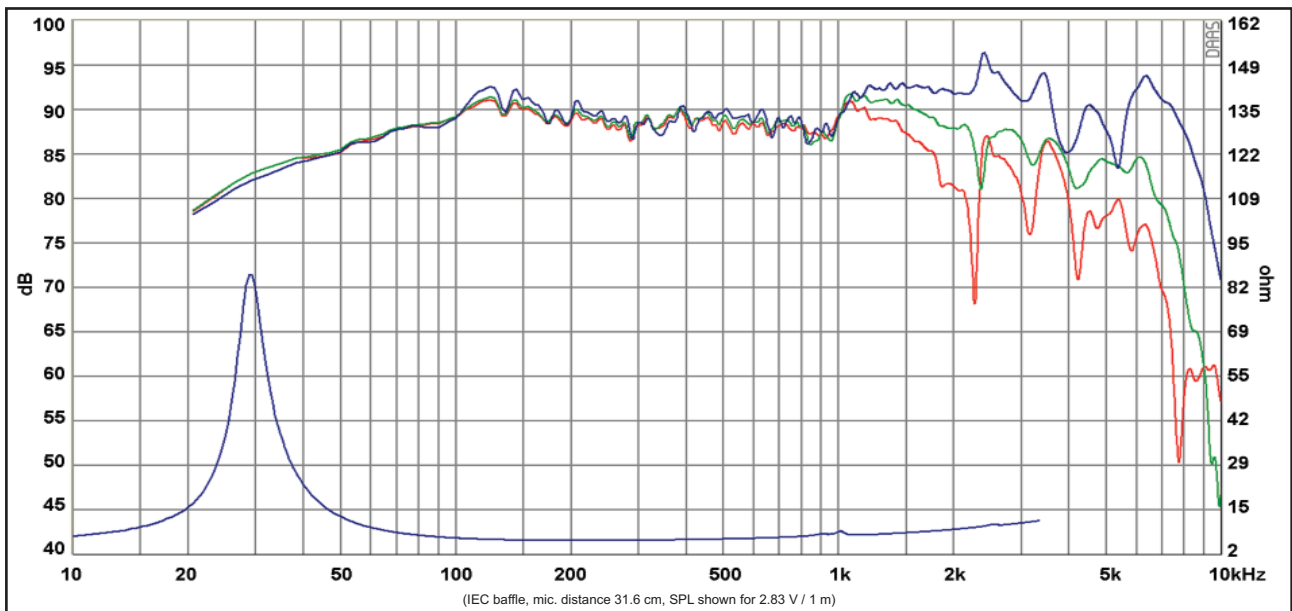
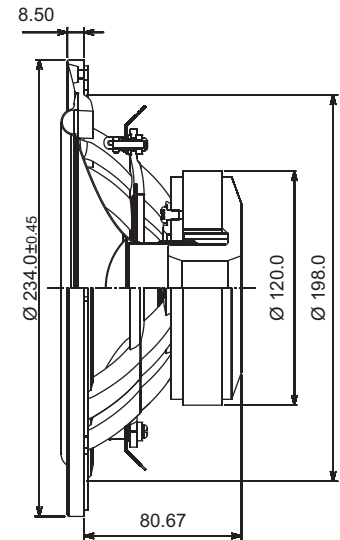
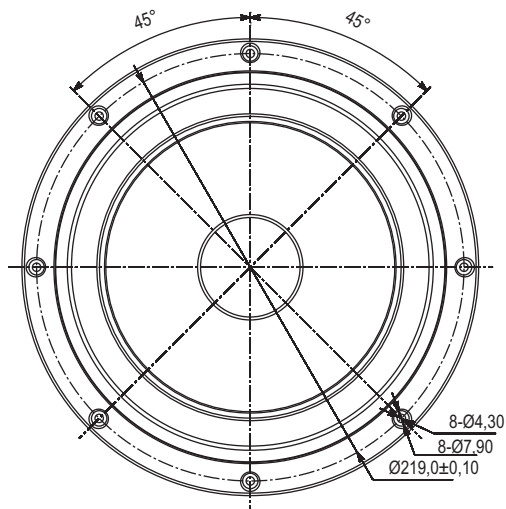


ACOUSTICS

8" SB23NRXS45-8



Response Curve :

— (Blue) : on axis — (Green) : 30° off-axis — (Red) : 60° off-axis

Specs :

Nominal Impedance	8 Ω	Free air resonance, Fs	27 Hz
DC resistance, Re	5.6 Ω	Sensitivity (2.83 V / 1 m)	88.5 dB
Voice coil inductance, Le	0.60 mH	Mechanical Q-factor, Qms	5.4
Effective piston area, Sd	216 cm ²	Electrical Q-factor, Qes	0.41
Voice coil diameter	45.5 mm	Total Q-factor, Qts	0.38
Voice coil height	19 mm	Moving mass incl.air, Mms	24.5 g
Air gap height	6 mm	Force factor, Bl	7.5 Tm
Linear coil travel (p-p)	13 mm	Equivalent volume, Vas	94 liters
Magnetic flux density	0.86 T	Compliance, Cms	1.42 mm/N
Magnet weight	0.8 kg	Mechanical loss, Rms	0.77 kg/s
Net weight	2.74 kg	Rated power handling*	60 W

* IEC 268-5, T/S parameters measured on drive units that are broken in.