

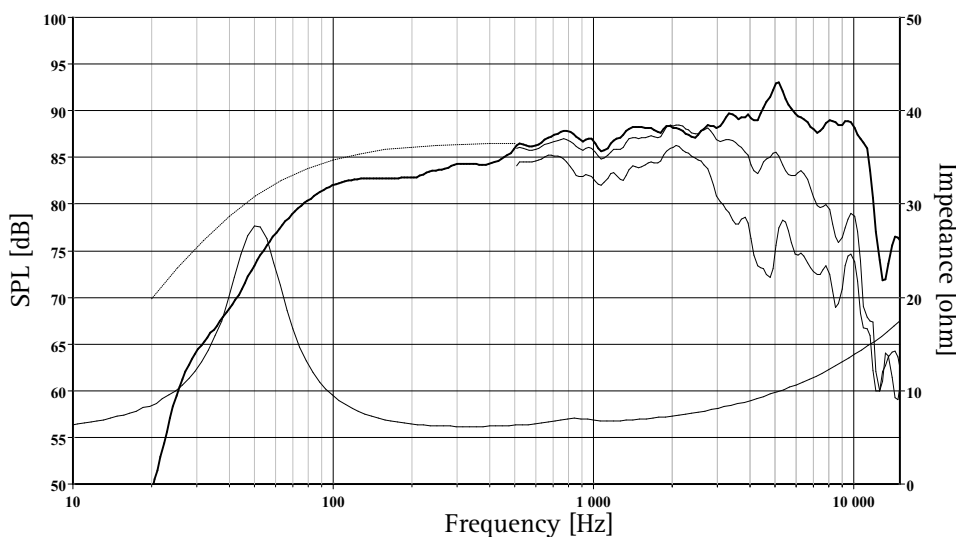
An adaptive rubber surround provides an ideal match to the cone over the total frequency range.

A paper cone with a unique Nextel coating ensures smooth frequency response and low distortion.

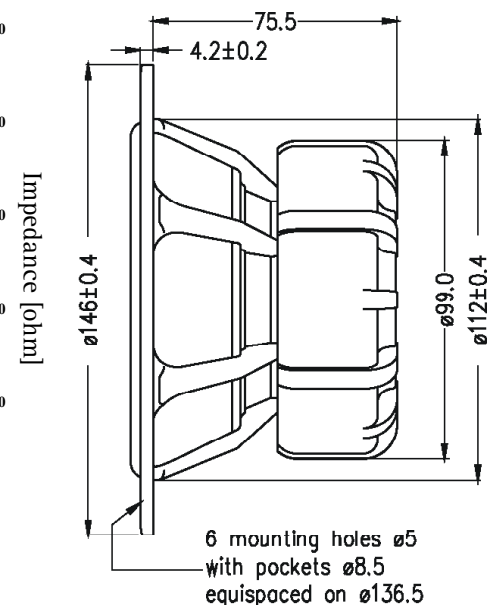
A large magnet system, together with a very long and light weight CCAW voice coil allow good coil excursion with low distortion and excellent transient response.

Heavy copper rings mounted above and below the T-shaped pole piece reduce non linear and modulation distortion and increase overload margin.

Extremely stiff and stable injection moulded metal basket keeps the critical components in perfect alignment. Large windows in the basket both above and below the spider reduce sound reflexion, air flow noise and cavity resonance to a minimum.



The frequency responses above show measured free field sound pressure in 0, 30, and 60 degrees angle using a 7L closed box. Input 2.83 V_{RMS}, microphone distance 0.5m, normalized to SPL 1m. The dotted line is a calculated response in infinite baffle based on the parameters given for this specific driver. The impedance is measured in free air without baffle using a 2V sine signal.



Nominal Impedance	8 Ohms	Voice Coil Resistance	5.7 Ohms
Recommended Frequency Range	50 - 4000 Hz	Voice Coil Inductance	0.3 mH
Short Term Power Handling *	250 W	Force Factor	4.6 N/A
Long Term Power Handling *	60 W	Free Air Resonance	49 Hz
Characteristic Sensitivity (2,83V, 1m)	86.5 dB	Moving Mass	6.28 g
Voice Coil Diameter	26 mm	Air Load Mass In IEC Baffle	0.38 g
Voice Coil Height	16 mm	Suspension Compliance	1.7 mm/N
Air Gap Height	6 mm	Suspension Mechanical Resistance	0.93 Ns/m
Linear Coil Travel (p-p)	10 mm	Effective Piston Area	75 cm ²
Maximum Coil Travel (p-p)	20 mm	VAS	12 Litres
Magnetic Gap Flux Density	1.1 T	QMS	2.21
Magnet Weight	0.42kg	QES	0.56
Total Weight	1.29 kg	QTS	0.45