

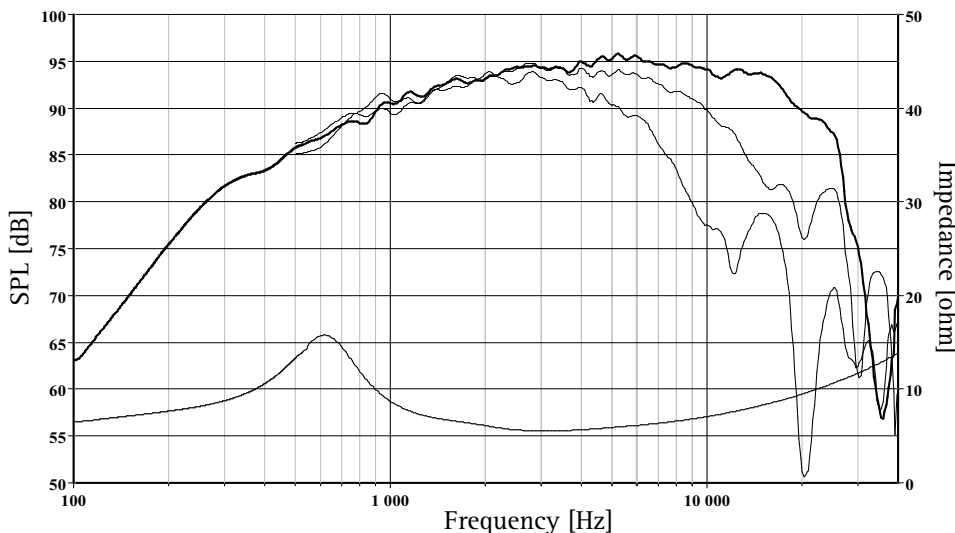
The T35C002 is a classic dome midrange tweeter with high sensitivity and a smooth, extended frequency response.

A coated fabric dome with integral surround manufactured by Dr. K. Müller in Germany ensures excellent performance and consistency. This supplier was among the first in the world to offer fabric dome diaphragms, and did produce the diaphragm for the famous 1.5" Dome Tweeter H087, developed by Seas in 1968.

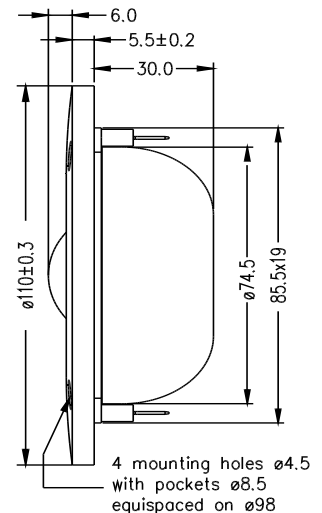
A small, high efficiency Neodymium ring magnet in a carefully designed system contributes to high sensitivity and low distortion. The top plate and T-yoke are CNC machined for excellent precision. A well damped vented pole and a rigid rear chamber ensure a low resonance frequency and smooth response.

A generously underhung 35mm voice coil wound from copper-clad aluminum wire further enhances the sensitivity. Flexible lead-out wires and venting holes in the aluminum coil former help reduce noise to a minimum.

A 7 mm thick precision machined aluminum front plate with moderate horn loading ensures linear frequency response and represents an extremely stable platform for the magnet system and the moving parts.



The frequency responses above show measured free field sound pressure in 0, 30, and 60 degrees, mounted in a 0.6m by 0.8m baffle. Input 2.83 V<sub>RMS</sub>, microphone distance 0.5m, normalized to SPL 1m. The impedance is measured without baffle using a 2V sine signal.



Nominal Impedance	6 Ohms	Voice Coil Resistance	4.6 Ohms
Recommended Frequency Range	1500 - 25000 Hz	Voice Coil Inductance	0.06 mH
Short Term Power Handling *	250 W	Force Factor	4.3 N/A
Long Term Power Handling *	100W	Free Air Resonance	620 Hz
Characteristic Sensitivity (2.83V, 1m)	95.0 dB	Moving Mass	0.47 g
Voice Coil Diameter	35 mm	Effective Piston Area	11.9 cm <sup>2</sup>
Voice Coil Height	2.0 mm	Magnetic Gap Flux Density	1.6 T
Air Gap Height	3.0 mm	Magnet Weight	35 g
Linear Coil Travel (p-p)	1.0 mm	Total Weight	0.37 kg